

Fuel Pressure Regulator Mini

www.bosch-motorsport.com



BOSCH
Invented for life



- ▶ 5 to 10 bar
- ▶ All versions Methanol compatible
- ▶ 30 to 400 l/h reflow
- ▶ Adjusted at 105 l/h
- ▶ Aluminum housing

Fuel pressure regulators are used to maintain constant fuel pressure at the injection valves.

We offer this regulator for gasoline as well as for methanol applications.

The main benefit of this regulator includes a higher pressure range and a higher return flow rate in comparison to the production type regulators.

Application

| | |
|-----------------------|--------------------------------------|
| Pressure range | See ordering information |
| Reflow quantity | 30 to 400 l/h |
| Fuel compatibility | Gasoline, E85, M100 |
| Operating temperature | -40 to 120°C |
| Storage temperature | -40 to 100°C |
| Max. vibration | <600 m/s ² at 5 to 250 Hz |

Technical Specifications

Variations

Please see Ordering Information

Mechanical Data

| | |
|----------|-----------------------|
| Diameter | 37.9 mm |
| Weight | 60 g |
| Mounting | Fastening with a clip |

Connectors and Wires

| | |
|------------------|-----------------------|
| Connector supply | Diam. 2.5 mm, O-ring |
| Connector reflow | Diam. 9.15 mm, O-ring |

Installation Notes

Never run the regulator without the integrated filter.

Please oil O-rings lightly with clean and silicone free engine oil before you install the regulator.

Please make a leak test after you have installed the regulator.

When the pressure regulator is removed and will be reused, the O-rings must be tested for fractures.

Operation of the pressure regulator with a medium other than gasoline is not allowed.

Using the FPR Adaptor F 02U V00 735-02 you can rebuild the regulator an inline type.

Ordering Information

Pressure Range 5 bar

Order number **F 02U V02 166-01**

Pressure Range 5.5 bar

Order number **F 02U V02 167-01**

Pressure Range 6 bar

Order number **F 02U V02 168-01**

Pressure Range 7 bar

Order number **F 02U V02 170-01**

Pressure Range 8 bar

Order number **F 02U V02 171-01**

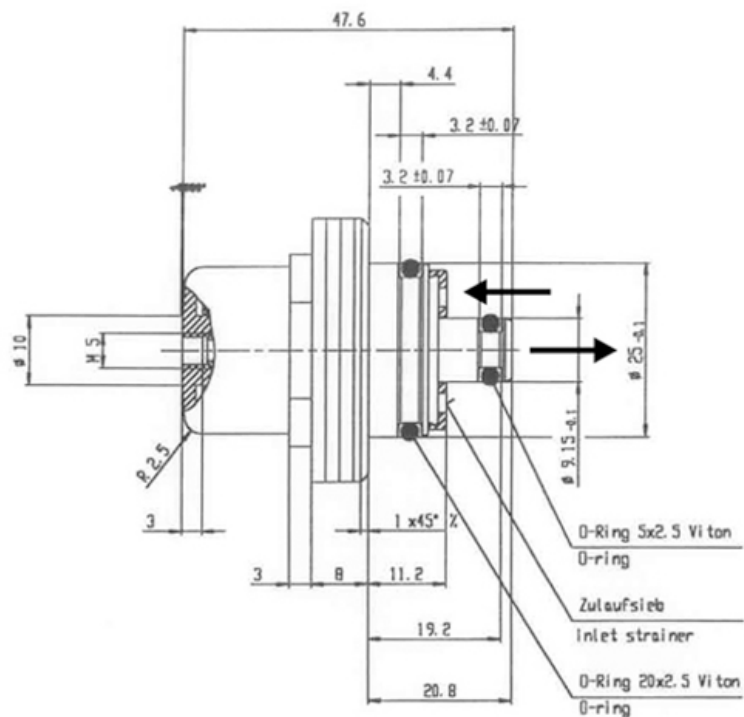
Pressure Range 10 bar

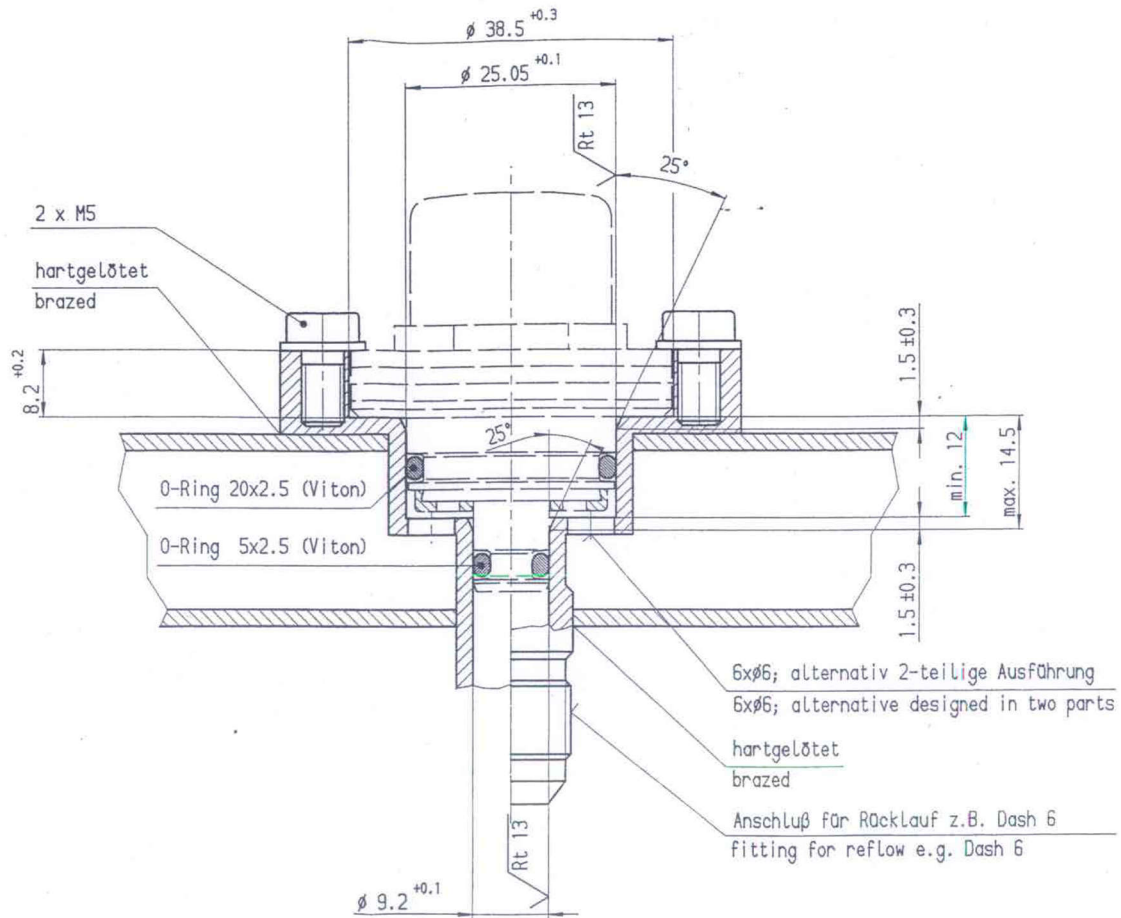
Order number **F 02U V02 172-01**

FPR Adaptor

Order number **F 02U V00 735-02**

Dimensions





Installation Recommendation

Represented by:

Europe:
 Bosch Engineering GmbH
 Motorsport
 Robert-Bosch-Allee 1
 74232 Abstatt
 Germany
 Tel.: +49 7062 911 79101
 Fax: +49 7062 911 79104
 motorsport@bosch.com
 www.bosch-motorsport.de

North America:
 Bosch Engineering North America
 Motorsport
 38000 Hills Tech Drive
 Farmington Hills, MI 48331-3417
 United States of America
 Tel.: +1 248 876 2977
 Fax: +1 248 876 7373
 motorsport@bosch.com
 www.bosch-motorsport.com

Latin America:
 Robert Bosch Ltda
 Motorsport
 Av Juscelino Kubitscheck de
 Oliveira 11800
 Zip code 81460-900
 Curitiba - Parana
 Brasilia
 Tel.: +55 41 3341 2057
 Fax: +55 41 3341 2779

Asia-Pacific:
 Bosch Engineering Japan K.K.
 Motorsport
 18F Queen's Tower C, 2-3-5 Minato Mirai
 Nishi-ku, Yokohama-shi
 Kanagawa 220-6218
 Japan
 Tel.: +81 45 650 5610
 Fax: +81 45 650 5611
 www.bosch-motorsport.jp

Australia, New Zealand and South Africa:
 Robert Bosch Pty. Ltd
 Motorsport
 1555 Centre Road
 Clayton, Victoria, 3168
 Australia
 Tel.: +61 (3) 9541 3901
 motor.sport@au.bosch.com