

Fuel Pressure Regulator Mini A

www.bosch-motorsport.com



BOSCH
Invented for life



- ▶ 2.2 to 3.5 bar/3.5 to 5 bar
- ▶ Pressure adjustable
- ▶ 15 to 220 l/h reflow
- ▶ Sheet steel housing

Fuel pressure regulators are used to maintain constant fuel pressure at the injection valves. This regulator based on a production type regulator was specially designed for motorsport applications. The main benefit of this regulator is the adjustability of the fuel pressure.

Application

Pressure range	2.2 to 3.5 bar 3.5 to 5.0 bar
Reflow quantity	15 to 220 l/h
Reference pressure connector	Diam. 5 mm, tube connector
Fuel compatibility	Gasoline, E85, M15
Operating temperature	-40 to 120°C
Storage temperature	-40 to 100°C
Max. vibration	<400 m/s ² at 5 to 250 Hz

Technical Specifications

Mechanical Data

Diameter	34.9 mm
Weight	58 g
Mounting	Fastening with a clip

Connectors and Wires

Connector supply	Diam. 25 mm, O-ring
Connector reflow	Diam. 9.15 mm, O-ring

Installation Notes

The tube connector at the housing can be used to supply reference pressure to the regulator. This can be atmospheric pressure, air box pressure or manifold pressure.

Never run the regulator without the integrated filter.

Please oil O-rings lightly with clean and silicone free engine oil before you install the regulator.

Please make a leak test after you have installed the regulator.

When the pressure regulator is removed and will be reused, the O-rings must be tested for fractures.

Operation of the pressure regulator with a medium other than gasoline is not allowed.

This pressure regulator is not designed for in-tank mounting.

Ordering Information

2.2 to 3.5 bar
Order number **B 280 550 340-03**

3.5 to 5 bar

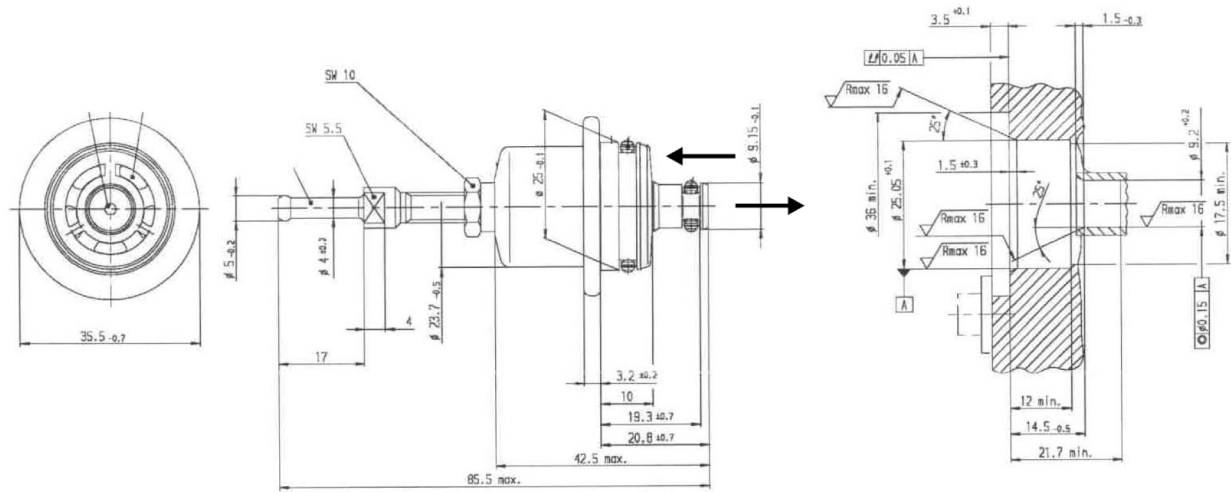
Order number **B 280 550 341-03**

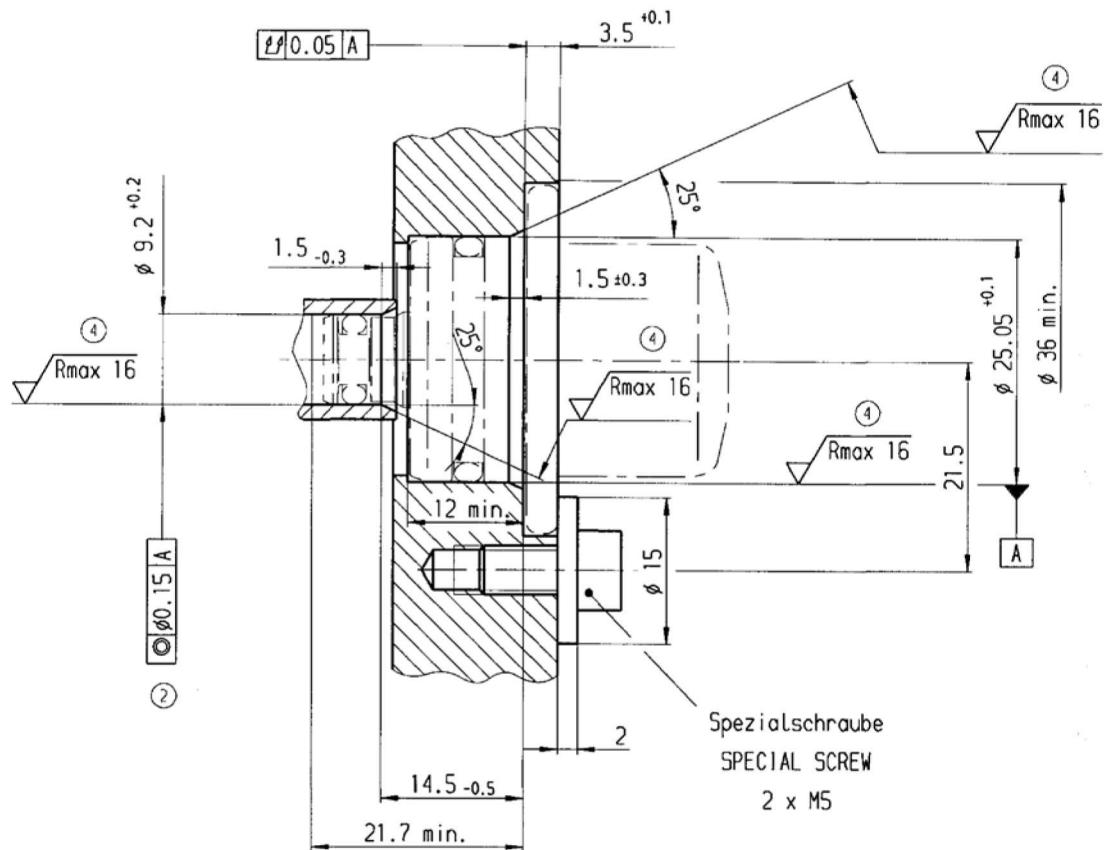
Accessories

FPR Adaptor

Order number **F 02U V00 735-01**

Dimensions





Installation Recommendation

Represented by:

Europe:
Bosch Engineering GmbH
Motorsport
Robert-Bosch-Allee 1
74232 Abstatt
Germany
Tel.: +49 7062 911 9101
Fax: +49 7062 911 79104
motorsport@bosch.com
www.bosch-motorsport.de

North America:
Bosch Engineering North America
Motorsport
38000 Hills Tech Drive
Farmington Hills, MI 48331-3417
United States of America
Tel.: +1 248 876 2977
Fax: +1 248 876 7373
motorsport@bosch.com
www.bosch-motorsport.com

Latin America:
Robert Bosch Ltda
Motorsport
Av Juscelino Kubitscheck de
Oliveira 11800
Zip code 81460-900
Curitiba - Parana
Brasil
Tel.: +55 41 3341 2057
Fax: +55 41 3341 2779

Asia-Pacific:
Bosch Engineering Japan K.K.
Motorsport
18F Queen's Tower C, 2-3-5 Minato Mirai
Nishi-ku, Yokohama-shi
Kanagawa 220-6218
Japan
Tel.: +81 45 650 5610
Fax: +81 45 650 5611
www.bosch-motorsport.jp

Australia, New Zealand and South Africa:
Robert Bosch Pty. Ltd
Motorsport
1555 Centre Road
Clayton, Victoria, 3168
Australia
Tel.: +61 (3) 9541 3901
motor.sport@au.bosch.com