

# Telemetry Modem LTE65-EU



- ▶ 4G-LTE connectivity (3G fallback)
- ▶ No infrastructure setup required, built-in SIM card
- ▶ Data can be sent/received anywhere 4G or 3G cellular service is available
- ▶ Easy configuration at the Bosch RaceConnect website

The LTE65-EU is a 4G-LTE based telemetry modem designed for real time telemetry data transfer on racetrack for use within Europe. The combination of LTE65-EU with RaceConnect cloud provides a highly flexible telemetry data distribution platform, where one transmitter can send to many receivers and many transmitters can send to one receiver. The usage of 4G-LTE cellular service allows for Plug & Play operation with minimal setup. The system has been validated on Bosch displays, ECUs and loggers; however, 3<sup>rd</sup> party loggers may also be used.

## Application

Data interface	RS232 or Ethernet
Max. transmit rate	2 Mbps
Max. receive rate	5 Mbps
Max. receive streams	10
Ethernet	100 BaseT
RS232 baud rates	19.2, 57.6 and 115.2 kB/sec
Display	3 LEDs for device status
Configuration	Bosch RaceConnect website

## Technical Specifications

### Mechanical Data

Size	114 x 65.5 x 22 mm
Weight	171 g
Protection classification	IP67
Operating temperature ambient	-30 to 65°C
Storage temperature	-30 to 85°C

Max. vibration	Vibration Profile 1 (see <a href="http://www.bosch-motorsport.com">www.bosch-motorsport.com</a> )
----------------	---

### Electrical Data

Supply voltage range	8 to 18 V 24 V operation possible on agreement with customer
Max. power consumption	6 W
Antenna impedance	50 Ohm
Antenna max. gain	5.78 dBi

### Connectors and Wires

Connector on device	ASDD006-09PN
Mating connector	ASDD606-09SN

### Pin Configuration

1	Battery plus
2	RS232 Rx
3	Reset
4	RS232 Tx
5	Battery negative
6	Eth RX+
7	Eth RX-
8	Eth TX+
9	Eth TX-

### Ordering Information

#### Modem LTE65-EU + Racer Subscription (1 year)

Order number **F02U.V02.932-01**

#### Modem LTE65-EU + Pro Subscription (1 year)

Order number **F02U.V02.933-01**

**Modem LTE65-EU + Pro-High Subscription (1 year)**

Order number **F02U.V02.934-01**

**Basic Kit Racer - GT**

2 Modems + 2 Racer Subscriptions (1 year) + Car Antenna + Pit Antenna + Pit Harness

Order number **on request**

**Basic Kit Pro - GT**

2 Modems + 2 Pro Subscriptions (1 year) + Car Antenna + Pit Antenna + Pit Harness

Order number **on request**

**Basic Kit Pro-High - GT**

2 Modems + 2 Pro-High Subscriptions (1 year) + Car Antenna + Pit Antenna + Pit Harness

Order number **on request**

**Accessories**

**Car Antenna - GT**

Quantity 1 required per modem

Order number **F02U.00U.054-01**

**Car Antenna Package - Open Wheel**

Quantity 1 required per modem

Order number **F02U.00U.069-01**

**Pitstand Antenna**

Quantity 1 required per modem

Order number **F02U.00U.070-01**

**Pitstand Harness**

Order number **F02U.V02.804-02**

**Software Options**

**Racer Subscription (1 year)**

500 MB / 20 hours per month

Order number **F02U.V02.929-01**

**Pro Subscription (1 year)**

2 GB / 60 hours per month

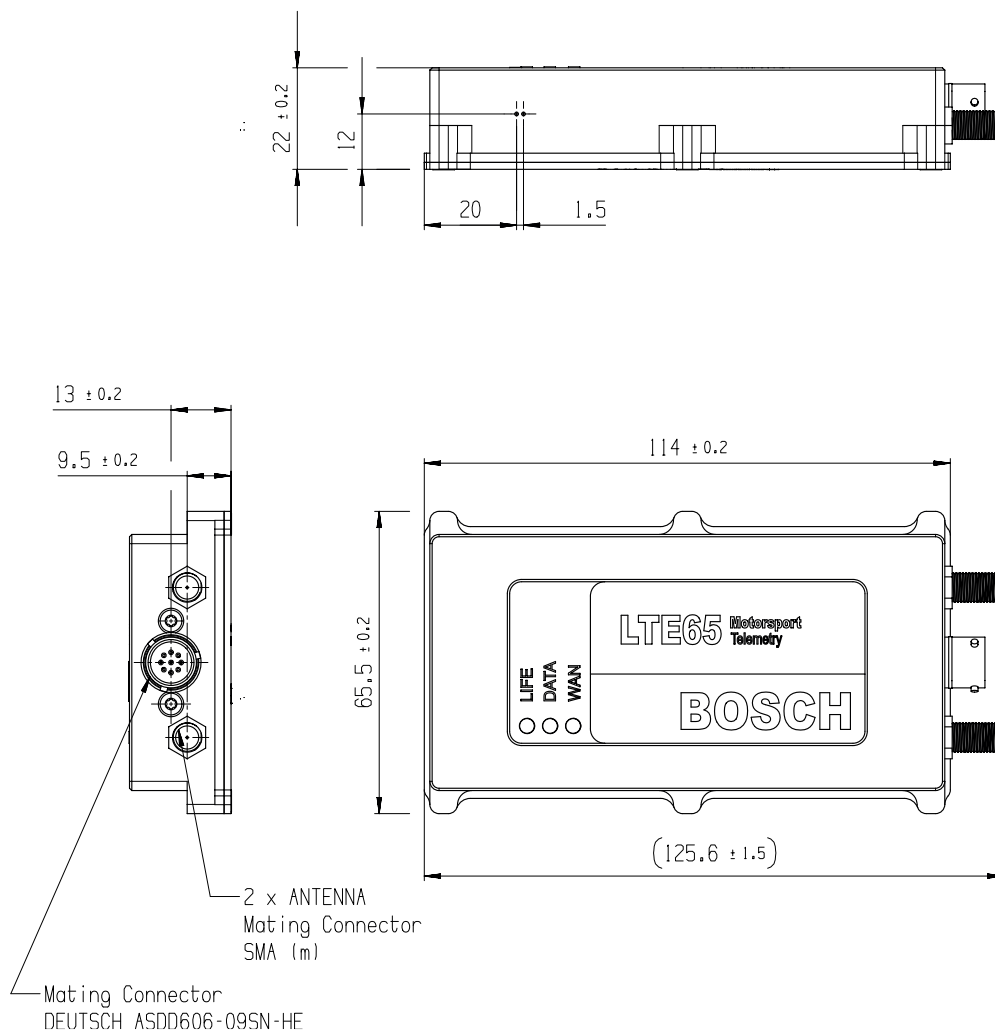
Order number **F02U.V02.930-01**

**Pro-High Subscription (1 year)**

10 GB / 100 hours per month

Order number **F02U.V02.931-01**

**Dimensions**



**Represented by:**

**Europe:**

Bosch Engineering GmbH  
Motorsport  
Robert-Bosch-Allee 1  
74232 Abstatt  
Germany  
Tel.: +49 7062 911 9101  
Fax: +49 7062 911 79104  
motorsport@bosch.com  
www.bosch-motorsport.de

**North America:**

Bosch Engineering North America  
Motorsport  
38000 Hills Tech Drive  
Farmington Hills, MI 48331-3417  
United States of America  
Tel.: +1 248 876 2977  
Fax: +1 248 876 7373  
motorsport@bosch.com  
www.bosch-motorsport.com

**Asia-Pacific:**

Bosch Engineering Japan K.K.  
Motorsport  
18F Queen's Tower C, 2-3-5 Minato  
Mirai Nishi-ku, Yokohama-shi  
Kanagawa 220-6218  
Japan  
Tel.: +81 45 650 5610  
Fax: +81 45 650 5611  
www.bosch-motorsport.jp

**Australia, New Zealand and South**

**Africa:**  
Robert Bosch Pty. Ltd  
Motorsport  
1555 Centre Road  
Clayton, Victoria, 3168  
Australia  
Tel.: +61 (3) 9541 3901  
motor.sport@au.bosch.com